

BEFORE YOU BEGIN

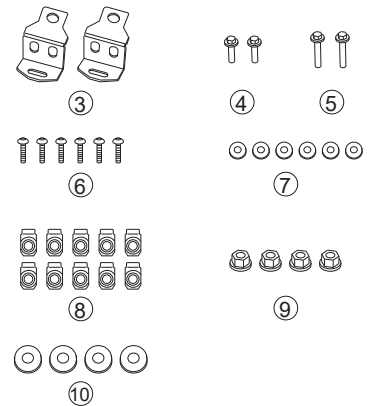
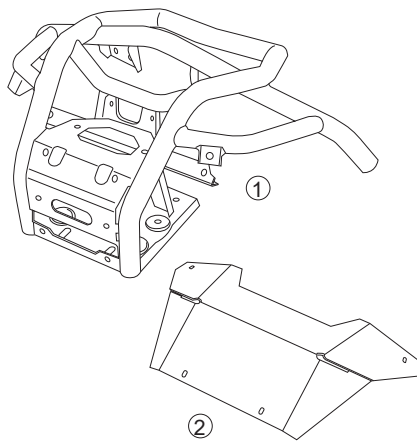
1. Read these instructions and check to be sure all parts and tools are accounted for.
2. Please retain these installation instructions for future reference and parts ordering information.

IMPORTANT

1. Please read the installation instructions carefully before you start.
2. If the vehicle is clean and free of other debris, it will be easy to install.
3. For your safety and to ensure a satisfactory installation, please complete all the installation steps in the order shown below.

PRODUCT INFORMATION:

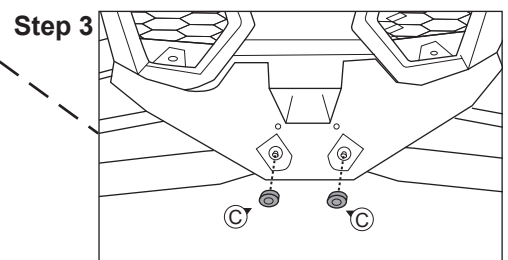
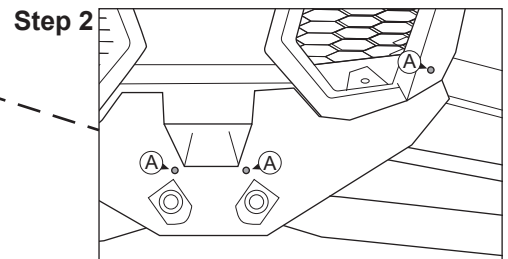
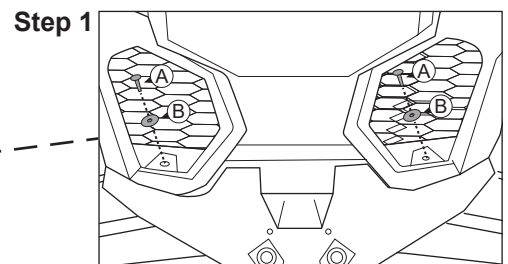
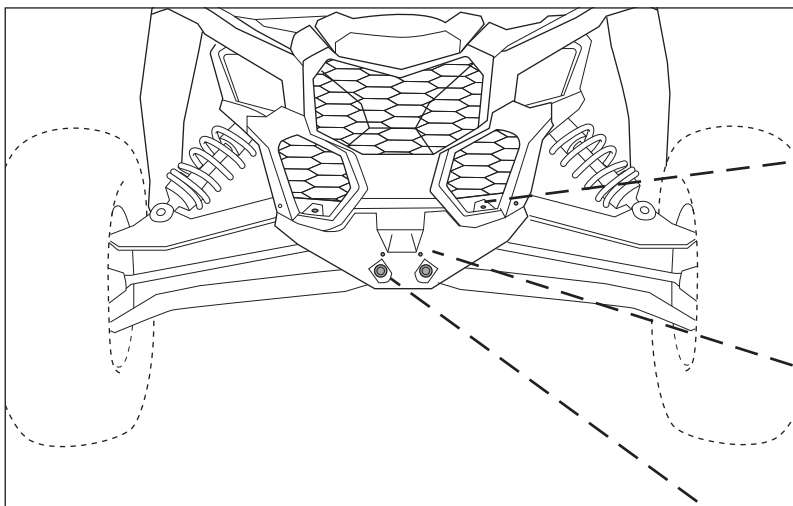
- | | |
|-----------------------------|-----|
| 1. Front Bumper | x1 |
| 2. Front Guard Board | x1 |
| 3. Bracket | x2 |
| 4. M6xL16 Hex Flanged Screw | x2 |
| 5. M6xL25 Hex Flanged Screw | x2 |
| 6. M6xL20 Hex Socket Screw | x6 |
| 7. M6 Washer | x6 |
| 8. M6 Panel Nut | x10 |
| 9. M12 Flanged Nut | x4 |
| 10. M12 Washer | x4 |



PREPARATION:

Safely lift front wheels and support front of vehicle by the frame. Block rear wheels.

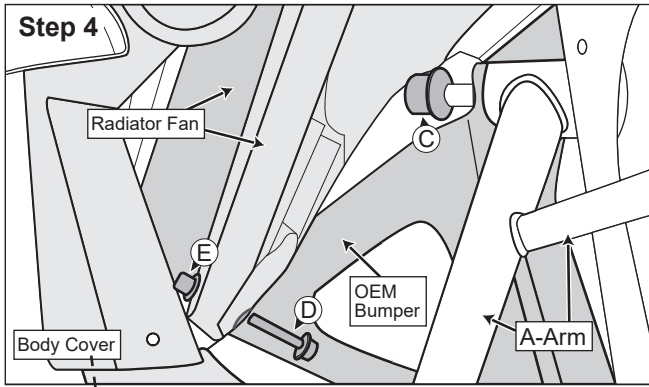
INSTALLATION TIPS:



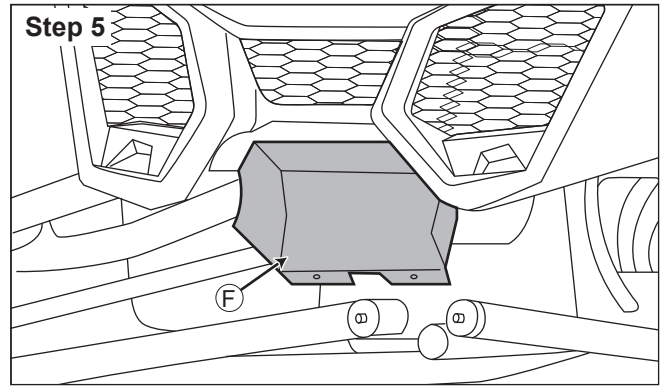
Step 1: Remove two M6 screws [A] and two washers [B].

Step 2: Remove four M6 screws [A].

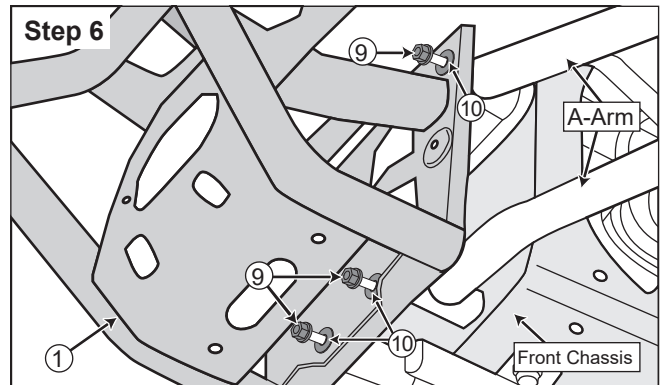
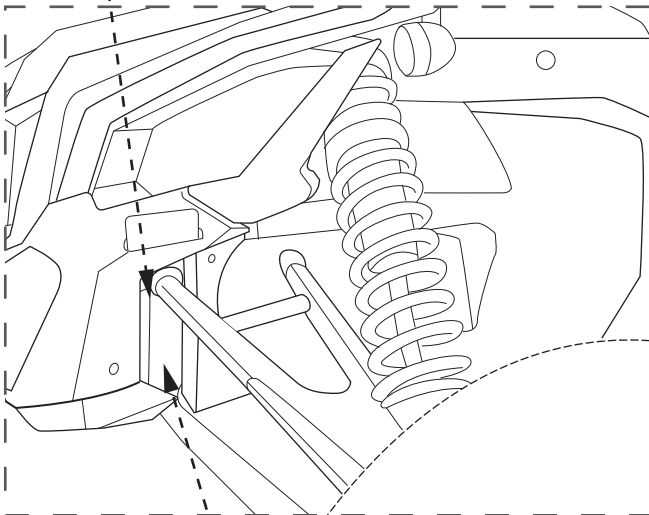
Step 3: Remove two M12 nuts [C].



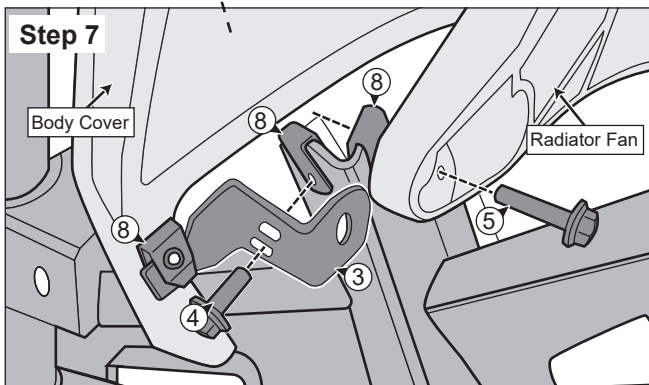
Step 4: Remove two M6 screws [D], M6 nuts [E] and M12 nuts [C].



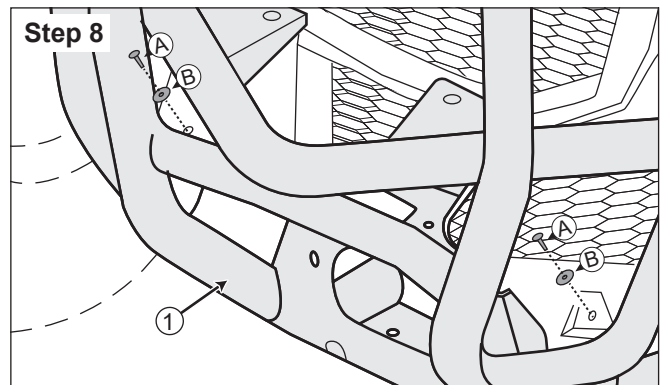
Step 5: Lift the radiator and remove the front bumper. Remove and discard radiator deflector [F].



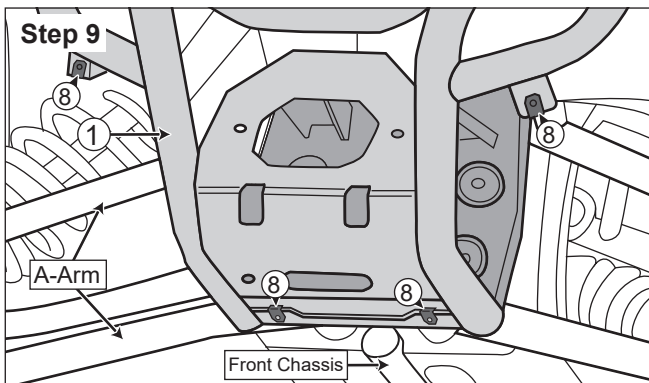
Step 6: Keep lifting the radiator when install new front bumper [1]. Use four M12 nuts [9] and M12 washers [10] to secure the bumper [1].



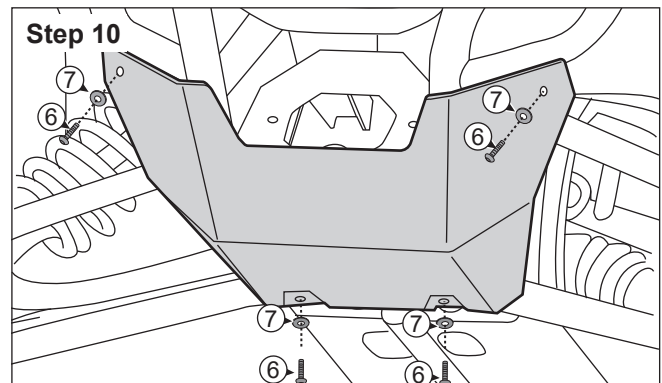
Step 7: Secure two brackets [3] between the bumper [1] and the radiator fan with two M6xL16 screws [4], two M6xL25 screws [5] and six M6 panel nuts [8].



Step 8: Secure the bumper [1] to vehicle cover with two M6xL20 screws [6] and M6 washers [7].



Step 9: Install four M6 panel nuts [8] to the bumper [1].



Step 10: Install front guard board [2] to the bumper [1] with four M6xL20 screws [6] and M6 washers [7].