

PRODUCT MANUAL

SKU: B0106-13001BK

BEFORE YOU BEGIN

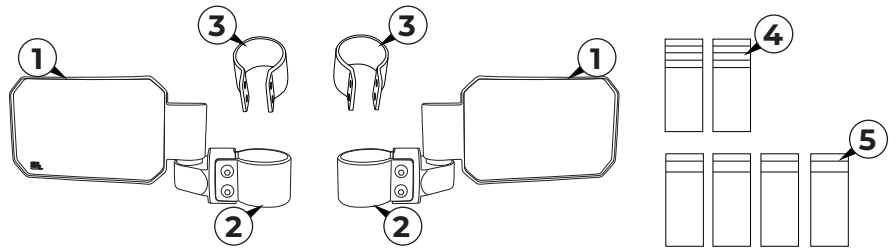
1. Read these instructions and check to be sure all parts and tools are accounted for.
2. Please retain these installation instructions for future reference and parts ordering information.

IMPORTANT

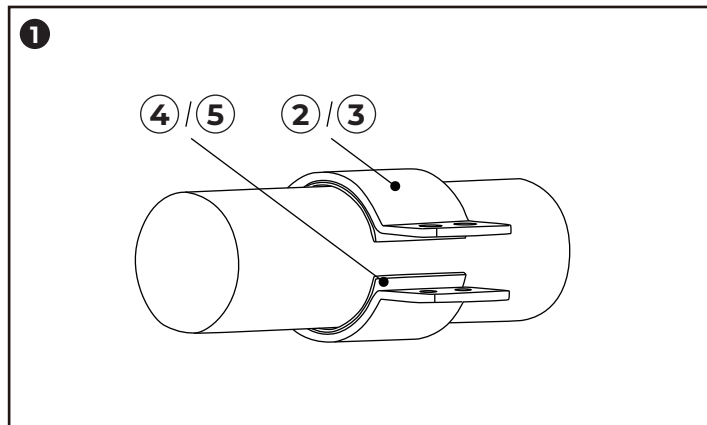
1. Please read the installation instructions carefully before you start.
2. If the vehicle is clean and free of other debris, it will be easy to install.
3. For your safety and to ensure a satisfactory installation, please complete all the installation steps in the order shown below.

PRODUCT INFORMATION

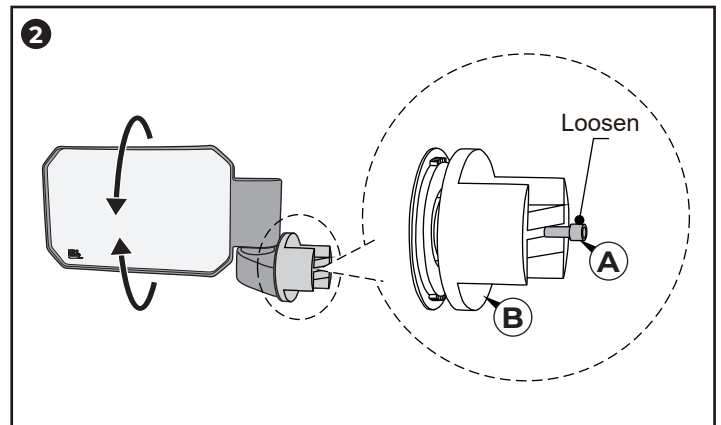
- | | |
|----------------------|----|
| ① Mirror body | x2 |
| ② 1.75 in Pipe Clamp | x2 |
| ③ 2.0 in Pipe Clamp | x2 |
| ④ Rubber Pad A | x2 |
| ⑤ Rubber Pad B | x4 |



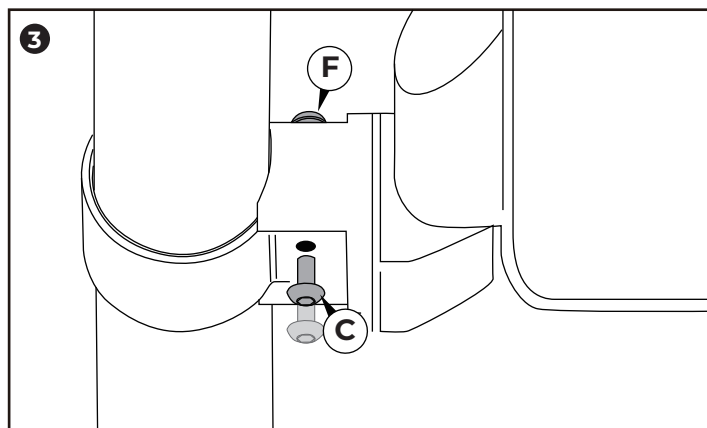
INSTALLATION TIPS



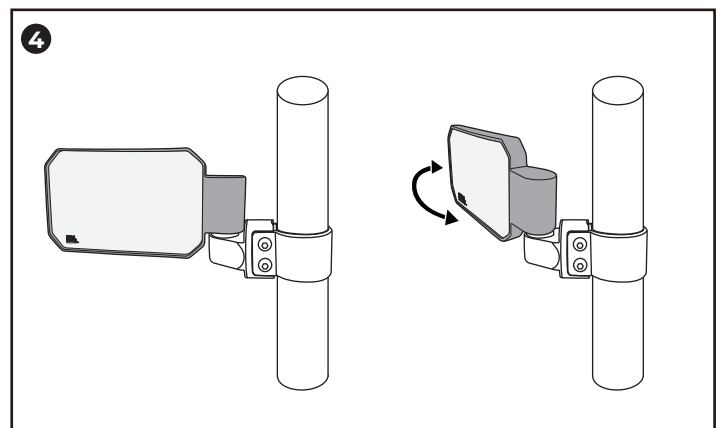
1. According to the diameter of vehicle roll bar, install pipe clamp [2] or [3]. Add a rubber pad between the pipe clamp and roll bar [4] or [5].



2. As shown in the picture, loosen the screw [A], then separate the mirror [1] and [B] and adjust the angle of the rearview mirror [1].



3. Install mirror [1] to pipe clamp [2] or [3] with nut [F], screw [C].



4. Adjust the mirror [1] to a suitable rear view angle.