

# PRODUCT MANUAL

SKU: B0106-11201BK

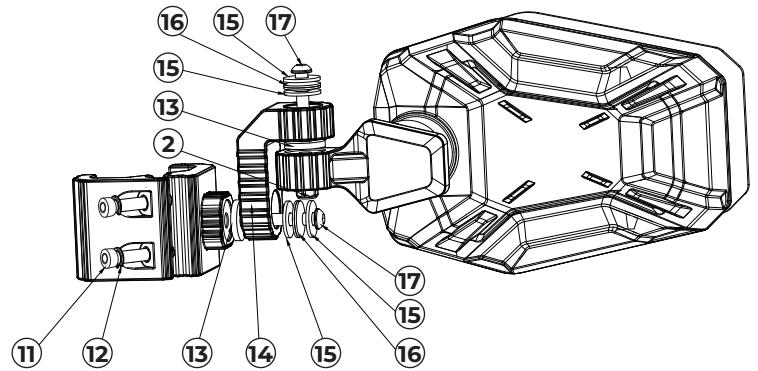
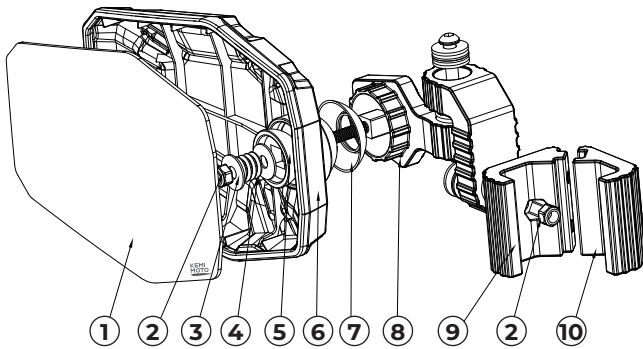
## BEFORE YOU BEGIN

1. Read these instructions and check to be sure all parts and tools are accounted for.
2. Please retain these installation instructions for future reference and parts ordering information.

## IMPORTANT

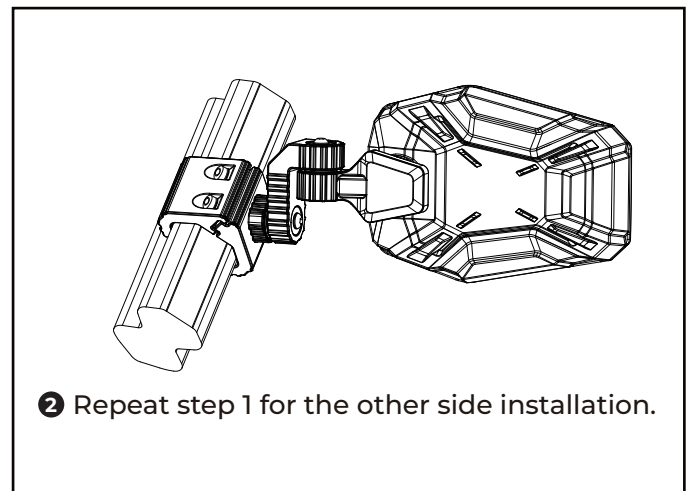
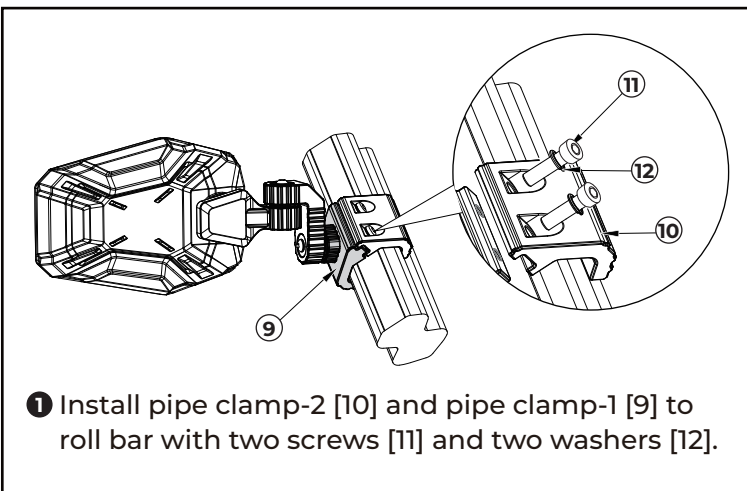
1. Please read the installation instructions carefully before you start.
2. If the vehicle is clean and free of other debris, it will be easy to install.
3. For your safety and to ensure a satisfactory installation, please complete all the installation steps in the order shown below.

## PRODUCT INFORMATION

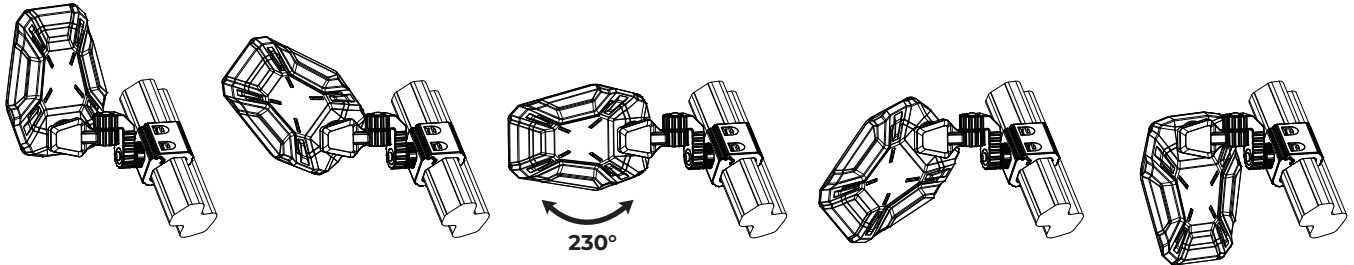


- |                           |    |  |    |  |    |
|---------------------------|----|--|----|--|----|
| ① Lens R1300              | x2 | ⑦ Hemispherical head-2                   | x2 | ⑬ POM washer                             | x4 |
| ② M6 lock nut             | x2 | ⑧ Connecting bracket-1                   | x2 | ⑭ Connecting bracket-2                   | x2 |
| ③ M6*D18*1.2 Metal gasket | x4 | ⑨ Pipe clamp-1                           | x2 | ⑮ M6*D18*1.2 Metal gasket                | x8 |
| ④ Spring                  | x2 | ⑩ Pipe clamp-2                           | x2 | ⑯ Conical gasket                         | x4 |
| ⑤ Hemispherical head-1    | x2 | ⑪ M6*L20 round head hexagon socket screw | x4 | ⑰ M6*L35 round head hexagon socket screw | x4 |
| ⑥ Mirror shell            | x2 | ⑫ M6 metal spring washer                 | x4 |  |    |

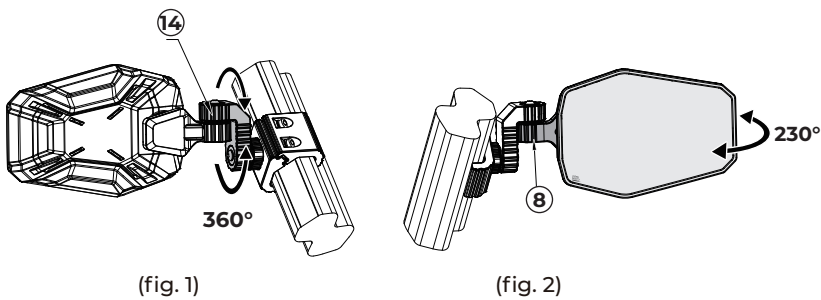
## INSTALLATION TIPS



**FUNCTION DESCRIPTION**



**1** Swinging the mirror, it can be rotated as shown above: Vertical installation, inclined installation and upside-down installation. The adjustment angle is about 230°.



**2** As (fig. 1), turn the [14 ], and the mirror can be rotated up and down 360°; As (fig. 2), the mirror can be adjusted front and back 230°.