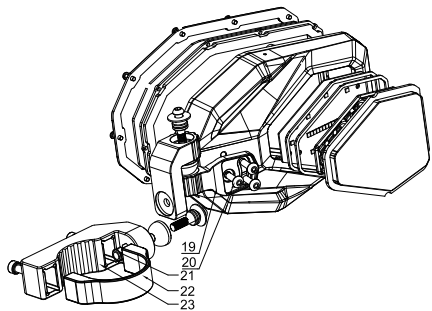
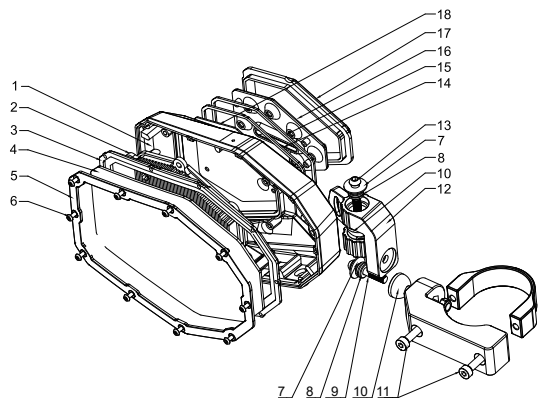


Product Parts



Product Parts

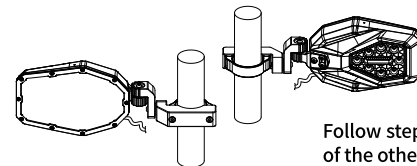
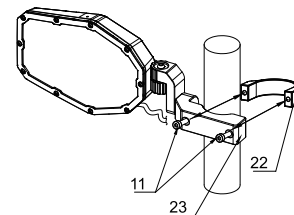
- 01 Mirror shell (left and right) x2
- 02 Radiating plate x2
- 03 Rubber cushion x2
- 04 Convex mirror R1300 x2
- 05 Lens pressure plate x2
- 06 M3*L10 round head hexagon socket screw x20
- 07 M6*D18*1.2 metal gasket x4
- 08 Plane bearing x4
- 09 M6*L32 round head hexagon socket screw x2
- 10 POM dome head x4
- 11 M6*L20 Cup Head Hexagon Screw x4
- 12 Bracket-1 x2
- 13 M6*L35 round head hexagon socket screw x2
- 14 Silicone sealing ring-1 x2
- 15 Silicone sealing ring-2 x2
- 16 Reflector x2
- 17 Transparent lampshade x2
- 18 Lamp circuit board x2
- 19 Bracket-2 (left and right) x2
- 20 M5*L16 round head hexagon socket screw x6
- 21 M6 lock nut x2
- 22 Pipe clamp bracket-1 x2
- 23 Pipe clamp bracket-2 x2

Tools Needed: Allen key

Installation Steps

01

Assemble two screws [11], bracket-1 [22] and bracket-2 [23] to install the mirror on roll bar. Tighten the screws [11].

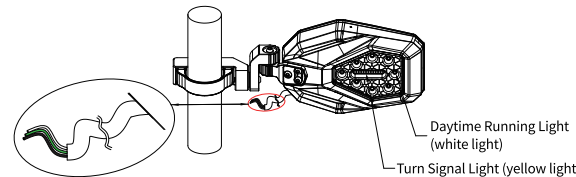


02

Follow step 1 for installation of the other side mirror.

03

Connect the mirror wire to the vehicle switch.



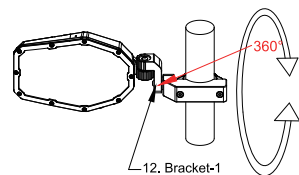
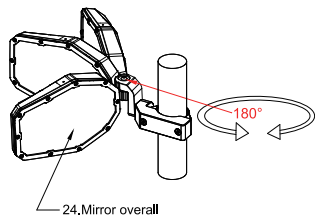
The functions of the three-core wires:

- White core (positive +) — Turn Signal Light
- Green core (positive +) — Daytime Running Light
- Black core (negative -) — shared with negative

Functional

01

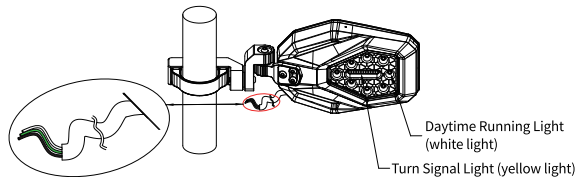
The mirror can be adjusted front and back about 180 degrees.



02

Swing bracket [12] to rotate the mirror up and down.

03 There are two different lights on the mirror: daytime running light, turn signal light.



Different lights can be controlled separately by using negative (-) sharing principle:

White core (positive +) — Turn Signal Light
Green core (positive +) — Daytime Running Light
Black core (negative -) — shared with negative



Note:

In order to protect the circuit board, we deliberately designed that the daytime running light and the turn signal light cannot be lit at the same time.

That is:

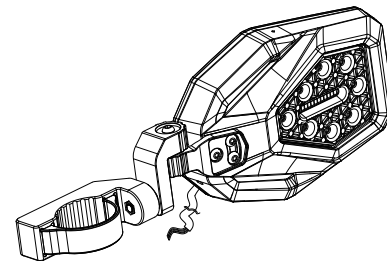
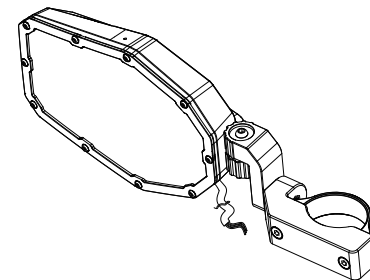
When they are turned on at the same time, the daytime running light will go out and the turn signal light will light up;
When the turn signal light is turned off 2 seconds, the light will restart to light up.

Disclaimer

Specifications are for reference only,detailed parameters are subject to actual measurement.Kemimoto reserves the right to final interpretation.

If you have any questions, please go to Kemimoto website or email for quick response.
www.kemimoto.com
Design by Kemimoto Group

KEMI MOTO



Product Installation

instructions Manual

SKU ▶ B0106-05602BK