

Installation Tips

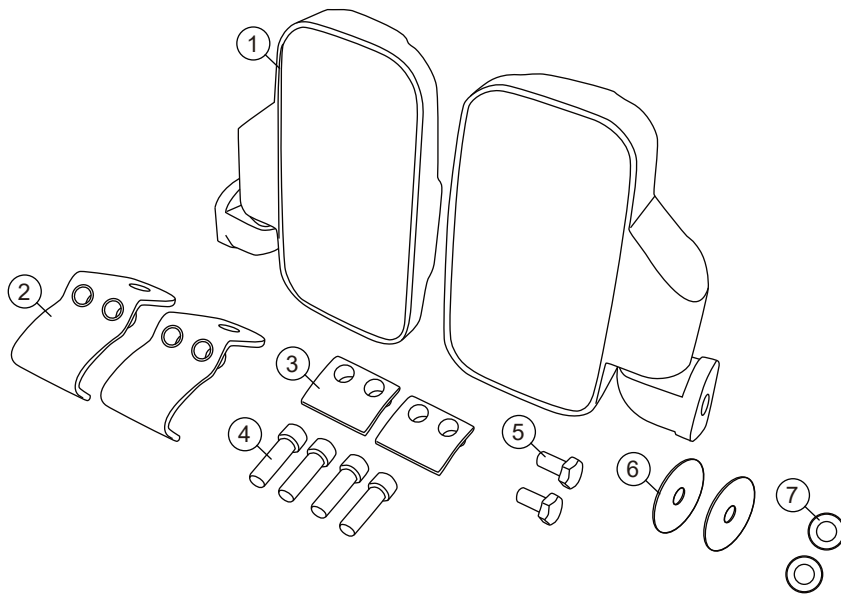
BEFORE YOU BEGIN

1. Read these instructions and check to be sure all parts and tools are accounted for.
2. Please retain these installation instructions for future reference and parts ordering information

IMPORTANT

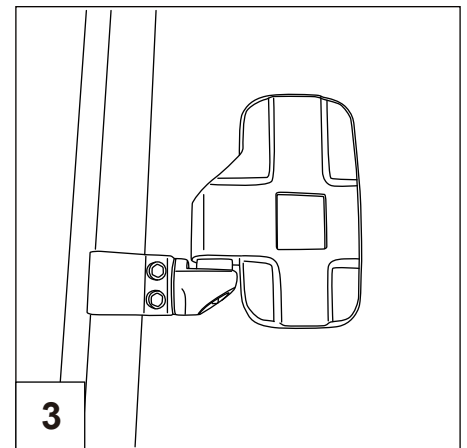
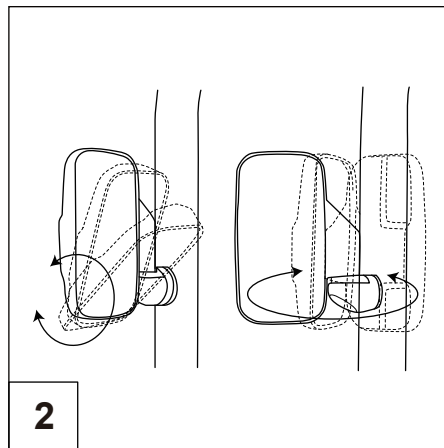
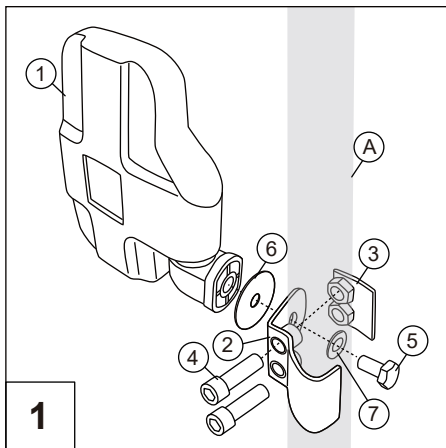
1. Please read the installation instructions carefully before you start.
2. If the vehicle is clean and free of other debris, it will be easy to install.
3. For your safety and to ensure a satisfactory installation, please complete all the installation steps in the order shown below.

PRODUCT INFORMATION:



1	Side Mirror	x2
2	Bracket-1	x2
3	Bracket-2	x2
4	M10 screw-Long	x4
5	M10 screw-Short	x2
6	Rubber washer	x2
7	Washer	x2

INSTALLATION TIPS:



1. Use two bolts [4] to install the metal brackets [2], [3] on the roll cage [A].
2. Install the mirror [1] and the rubber washer [6] to the bracket [2] with the washer [7] and the bolt [5], do not tighten it.
3. Adjust the horizontal angle and vertical angle of the mirror, and then tighten the bolt [5].
4. Repeat steps 1-3 to install the mirror and bracket on the other side.