

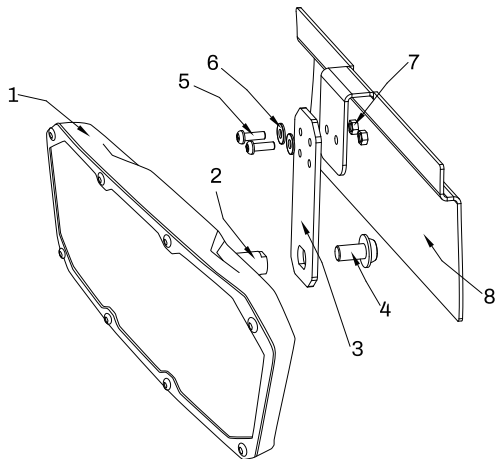
BEFORE YOU BEGIN

1. Read these instructions and check to be sure all parts and tools are accounted for.
2. Please retain these installation instructions for future reference and parts ordering information

IMPORTANT

1. Please read the installation instructions carefully before you start.
2. If the vehicle is clean and free of other debris, it will be easy to install.
3. For your safety and to ensure a satisfactory installation, please complete all the installation steps in the order shown below.

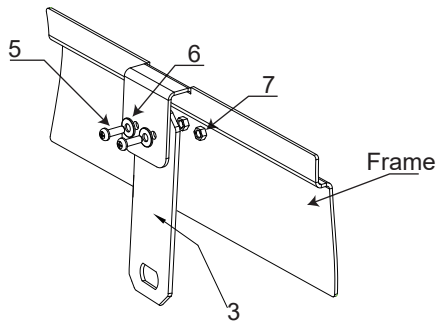
PRODUCT INFORMATION:



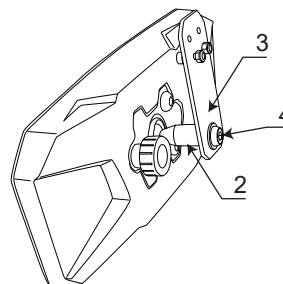
1	Mirror	x1
2	Ball Head Bracket	x1
3	Bracket	x1
4	M8x16mm Screw	x1
5	M4x12mm Screw	x2
6	M4 Gasket	x2
7	M4 Lock Nut	x2

INSTALLATION TIPS:

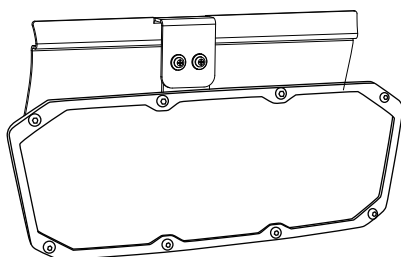
01 Install bracket [3] to frame with two M4 screw [5], gasket [6] and nut [7].



02 Assemble bracket [3] and ball head bracket [2] with M8 screw [4]. Tighten screw [4].



03 The effect of the final installation.



04 Loosen rotary knob, swing mirror [1] to find a suitable rear view angle. Tighten the rotary knob after adjustment.

