

BEFORE YOU BEGIN

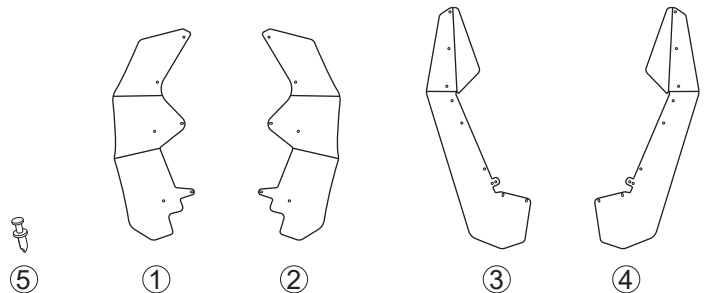
1. Read these instructions and check to be sure all parts and tools are accounted for.
2. Please retain these installation instructions for future reference and parts ordering information.

IMPORTANT

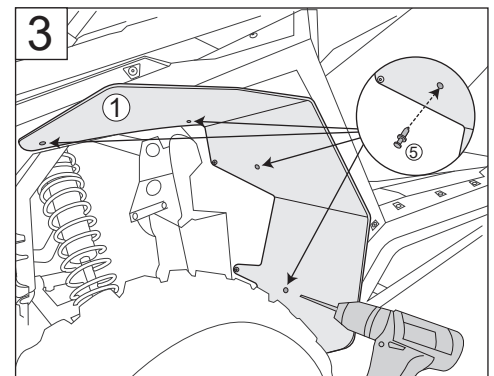
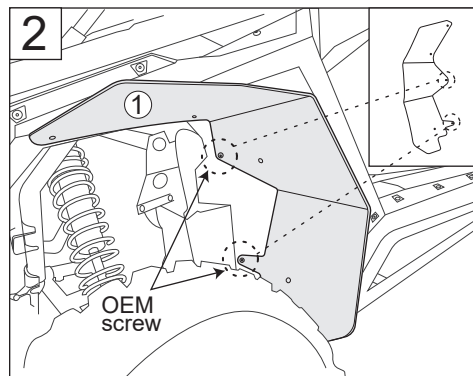
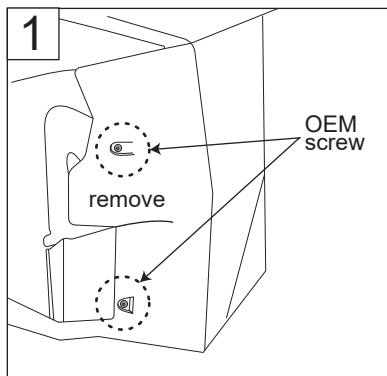
1. Please read the installation instructions carefully before you start.
2. If the vehicle is clean and free of other debris, it will be easy to install.
3. For your safety and to ensure a satisfactory installation, please complete all the installation steps in the order shown below.

PRODUCT INFORMATION:

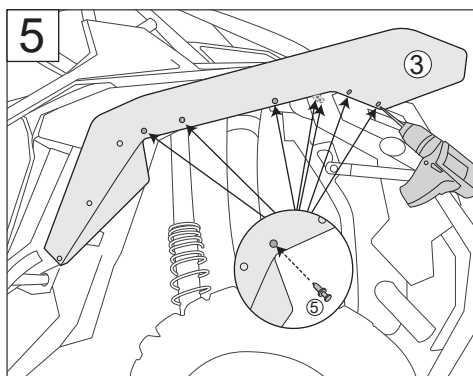
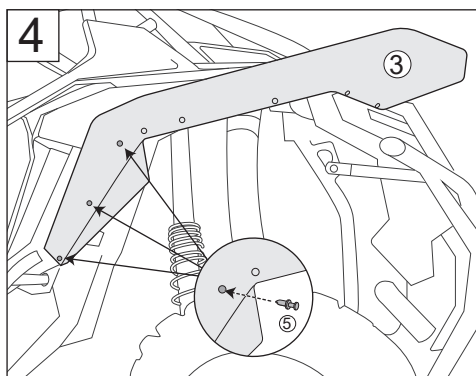
- | | |
|-----------------------------|-----|
| 1. Front Left Fender Flare | x1 |
| 2. Front Right Fender Flare | x1 |
| 3. Rear Left Fender Flare | x1 |
| 4. Rear Right Fender Flare | x1 |
| 5. Push Pin | x28 |



INSTALLATION TIPS:



1. Remove two original factory screws on front left panel of vehicle.
2. Install front left fender flare [1] on the panel with two original factory screws.
3. Use other mounting holes on the front left fender flare [1] as a guide, mark and drill four 8mm (5/16 inch) holes on the panel, then secure the fender flare [1] with four push pins [5].



NOTE:
For each mounting hole, it should be drilled 1/2 inch depth.

4. Install rear left fender flare [3] on rear left panel of vehicle with three push pins [5], secure the remaining part of it by using spring clamps or any other clamping tools.
5. Use other mounting holes on the rear left fender flare [3] as a guide, mark and drill four 8mm (5/16 inch) holes on the panel, then secure the fender flare [3] with seven push pins [5].
6. Repeat steps 1 to 5 for installation of the right fender flare [2] [4].