

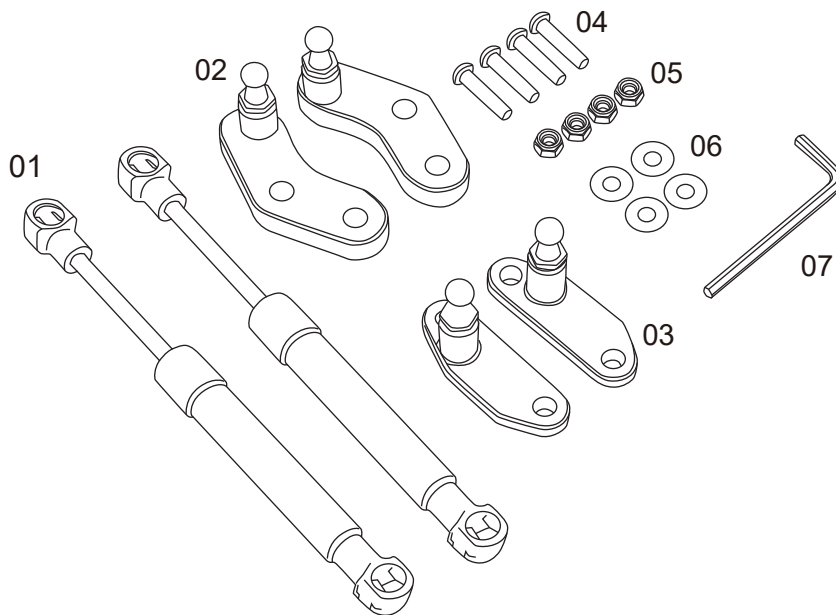
BEFORE YOU BEGIN

1. Read these instructions and check to be sure all parts and tools are accounted for.
2. Please retain these installation instructions for future reference and parts ordering information

IMPORTANT

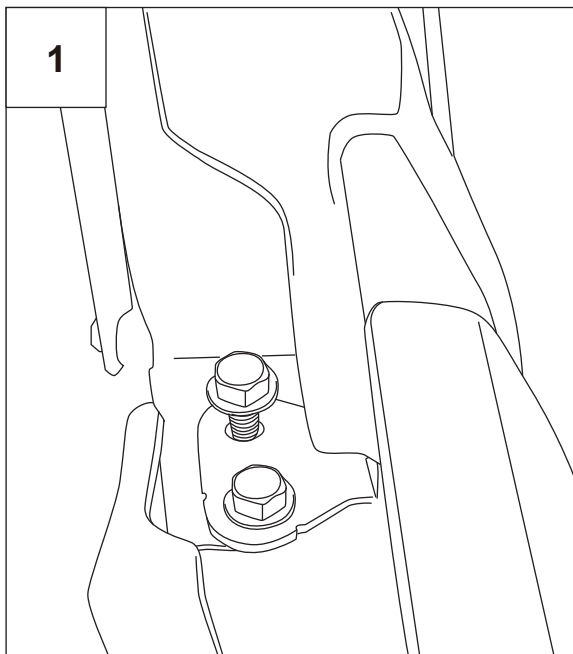
1. Please read the installation instructions carefully before you start.
2. If the vehicle is clean and free of other debris, it will be easy to install.
3. For your safety and to ensure a satisfactory installation, please complete all the installation steps in the order shown below.

PRODUCT INFORMATION:

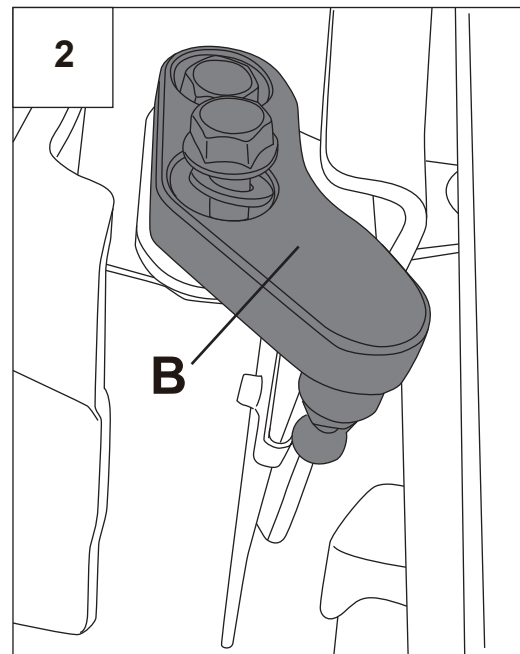


01 Bracket [A]	x2
02 Bracket [B]	x2
03 Bracket [C]	x2
04 Screw	x4
05 Nut	x4
06 Gasket	x4
07 Wrench	x1

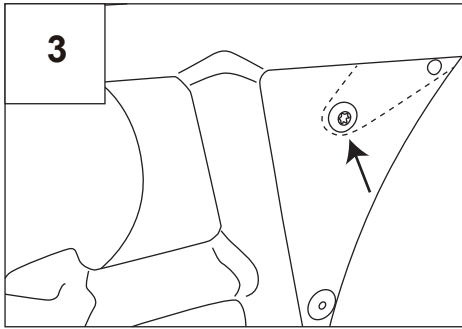
INSTALLATION TIPS:



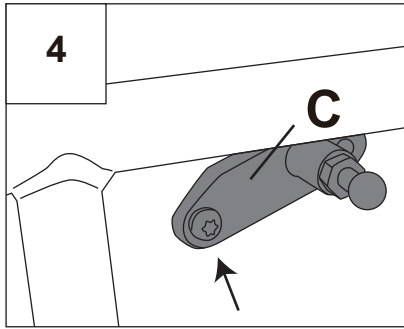
1. Keep vehicle door close. Using 13mm socket to remove two bolts holding top hinge bracket in place, and set them aside for reuse.



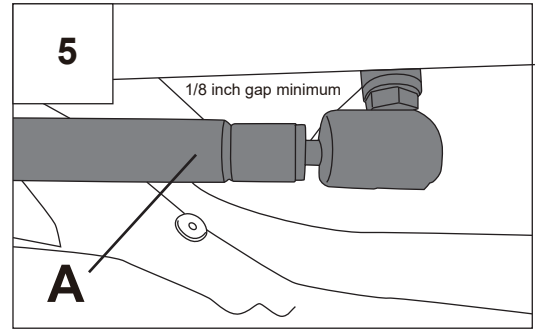
2. Place bracket[B] on top of hinge bracket and reinstall two bolts.
NOTE: Minor plastic trimming required on 2019 and later models. Bracket fits under trim piece on newer models.



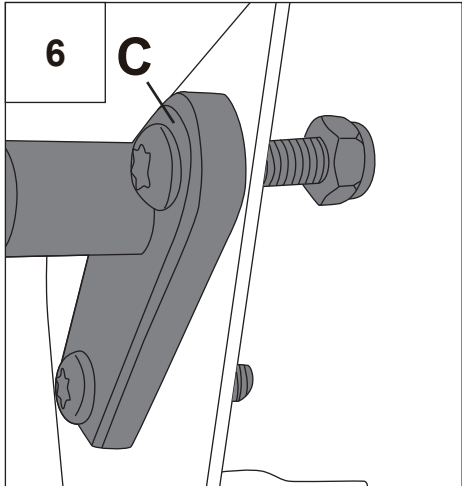
3. Open door and use #30 torx bit to remove a screw as shown.



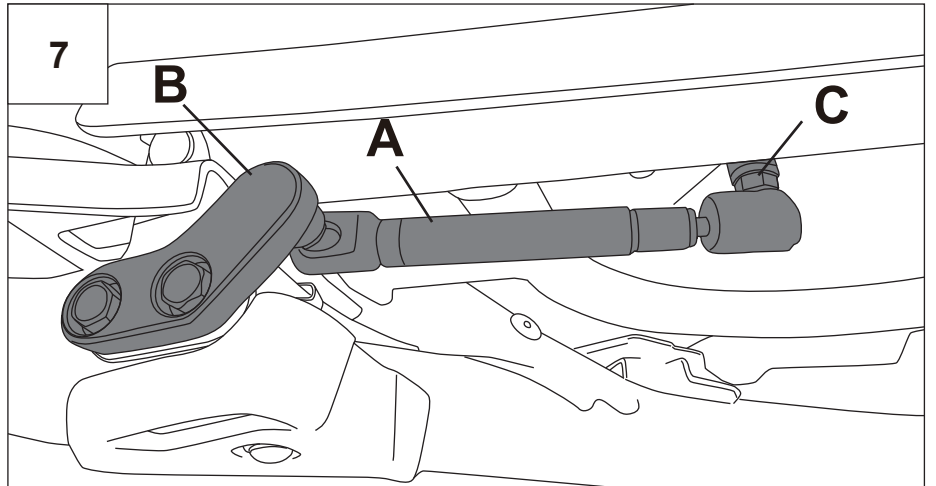
4. Install bracket[C] to door with supplied screw, and push other end of bracket[C] up against bottom of door frame.



5. Close the door fully, connect bracket[A] to bracket[C], check if the gap between them is at least 1/8". If not, lower the end of bracket[C] can give more clearance.



6. Drill hole with 1/4 drill bit on other end of bracket[C], and secure it with supplied screw and nut.



7. Connect bracket[A] to bracket[B].
8. Repeat step 1 to 7 for other side's installation.