

PRODUCT MANUAL

SKU: B0101-03401BK

BEFORE YOU BEGIN

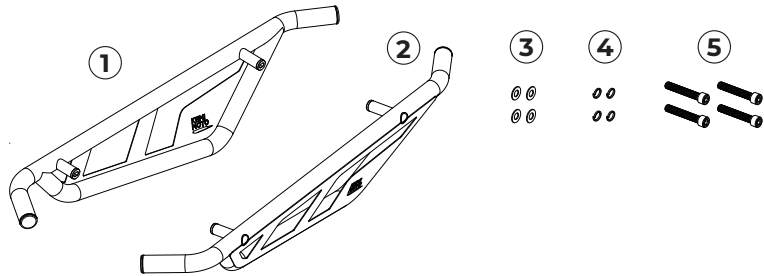
1. Read these instructions and check to be sure all parts and tools are accounted for.
2. Please retain these installation instructions for future reference and parts ordering information.

IMPORTANT

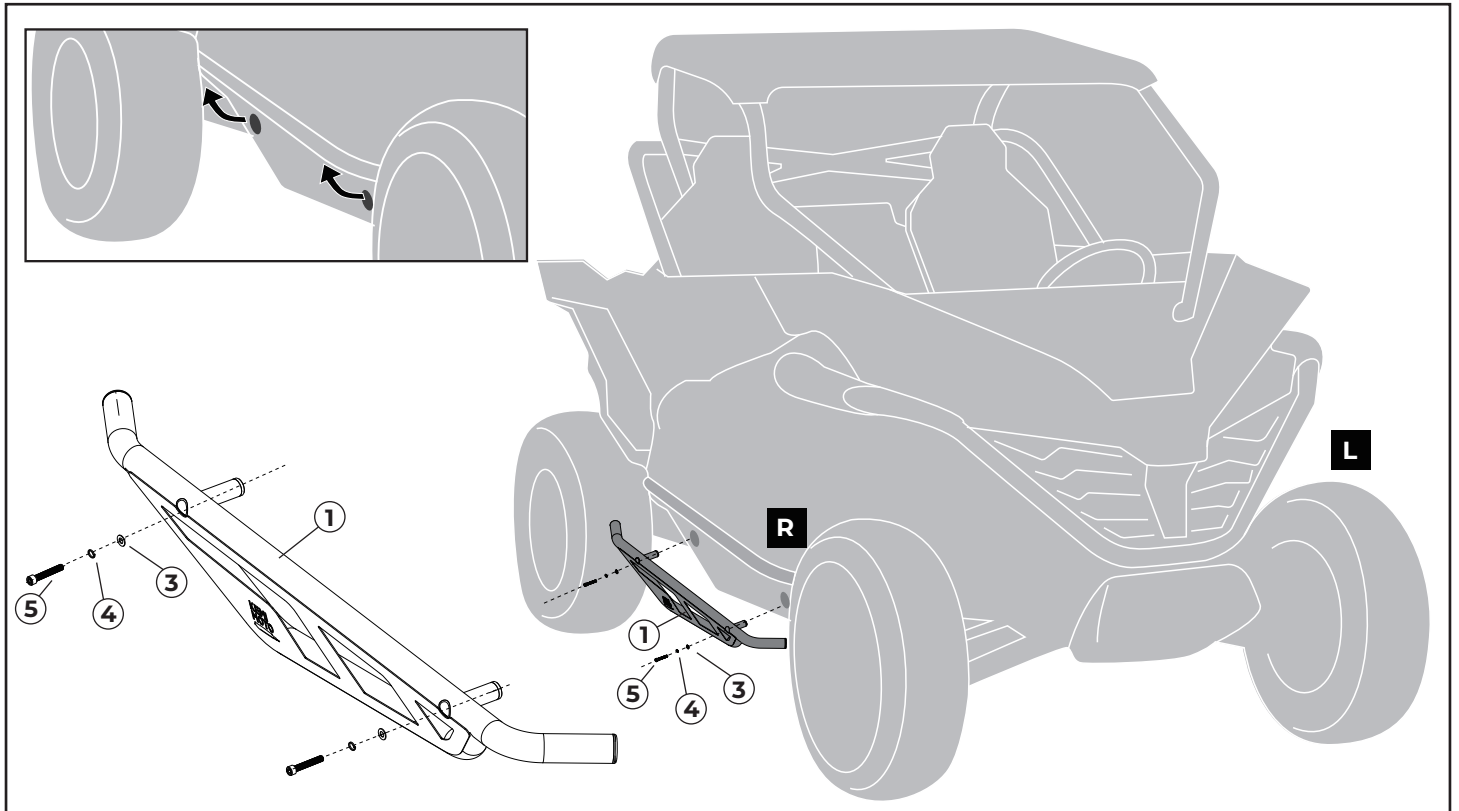
1. Please read the installation instructions carefully before you start.
2. If the vehicle is clean and free of other debris, it will be easy to install.
3. For your safety and to ensure a satisfactory installation, please complete all the installation steps in the order shown below.

PRODUCT INFORMATION

① Rock Slider-R	x1
② Rock Slider-L	x1
③ M8 Flat Washer	x4
④ M8 Spring Washer	x4
⑤ M8 Screw	x4



INSTALLATION TIPS



Remove two rubber lids from the vehicle body. Insert the rock slider-R [1] into two remained holes on the vehicle body, then secure it with two flat washers [3], spring washers [4] and screws [5]. Repeat same step to install rock slider-L [2].