

# PRODUCT MANUAL

SKU: B0110-09601BK

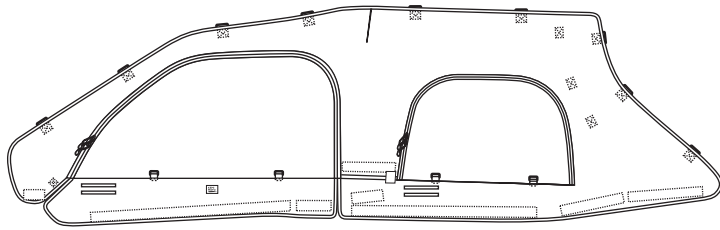
## BEFORE YOU BEGIN

1. Read these instructions and check to be sure all parts and tools are accounted for.
2. Please retain these installation instructions for future reference and parts ordering information.

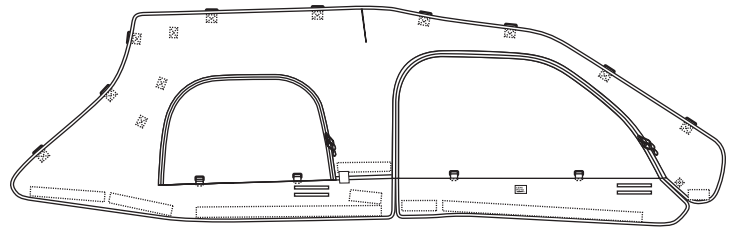
## IMPORTANT

1. Please read the installation instructions carefully before you start.
2. If the vehicle is clean and free of other debris, it will be easy to install.
3. For your safety and to ensure a satisfactory installation, please complete all the installation steps in the order shown below.

## PRODUCT INFORMATION



① Soft Upper Door Panel - Driver Side

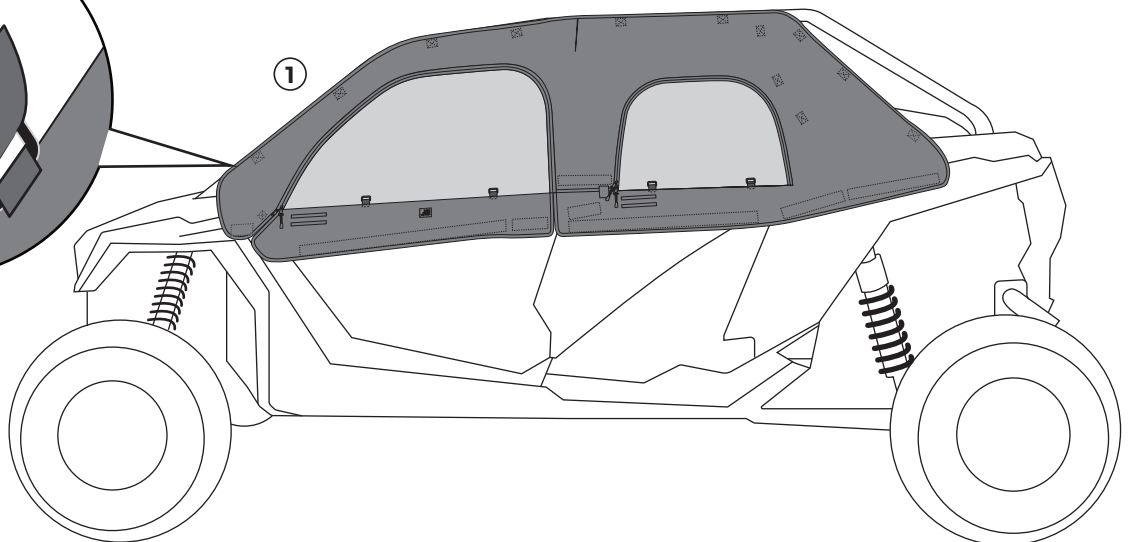
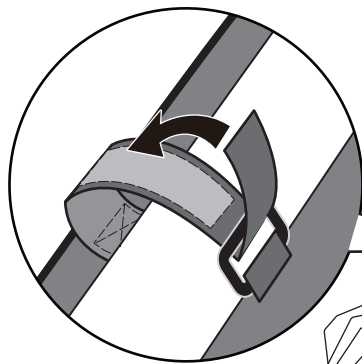


② Soft Upper Door Panel - Passenger Side

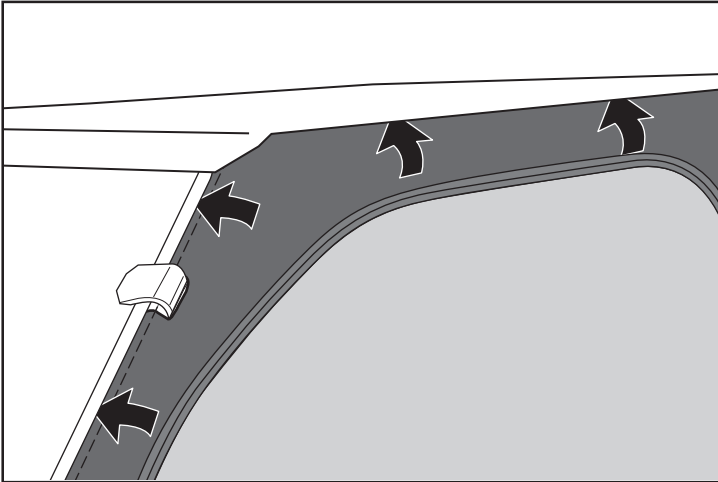
## INSTALLATION TIPS

**NOTE:**

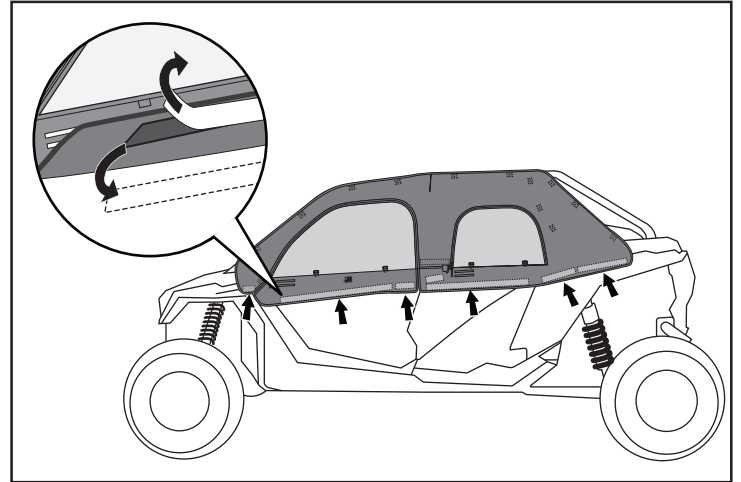
- 1) To create a relatively sealed environment, our product should be used with vehicle roof and front/rear windshields.
- 2) For an easy action, loosen the fixation clamps of your vehicle roof, front/rear windshield before starting installation.



- ① Wrap the Velcro straps on the door panel [1] around the roll cage, tension and stick them. Begin with the Velcro straps on the top, then the front and the rear.



**2** Tuck the upper and front edge of the door panel under the roof and front windshield to reduce gap.

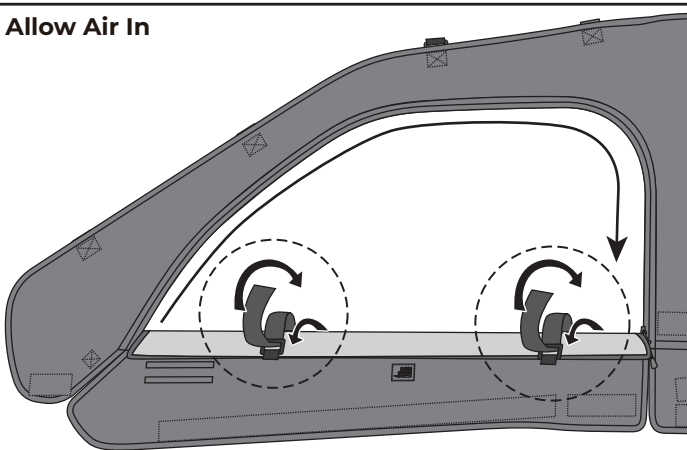


**3** Tear off the white paper on the lower edge of the door panel [1] and stick it to the vehicle door.

**4** Repeat steps 1-3 to install door panel [2].

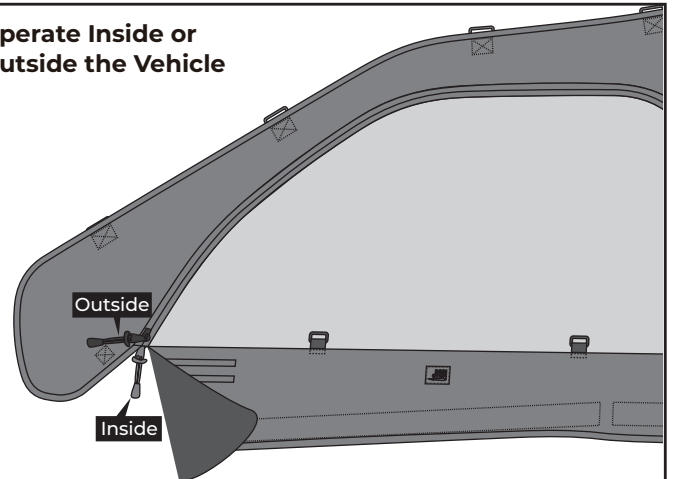
**FUNCTION**

**Allow Air In**



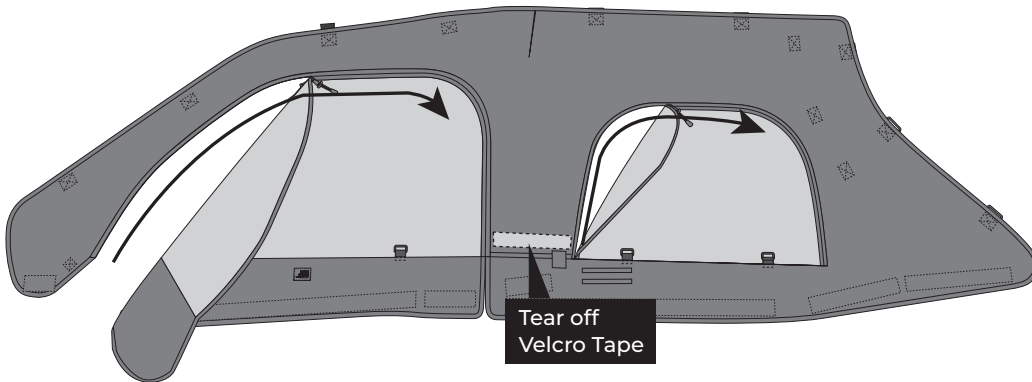
Unzip the zipper to lower right corner, the transparent soft window can be curled and fixed by two Velcro straps on the bottom of the door panel [1].

**Operate Inside or Outside the Vehicle**

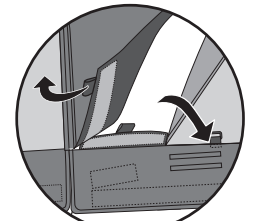


There is a zipper puller on each side of the soft door panel. You can open the zipper inside or outside the vehicle.

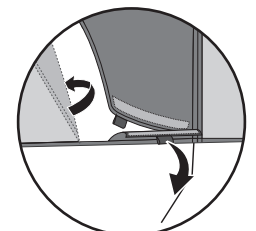
**Get On and Get Off**



Unzip the zipper to upper right corner position, then you can open the vehicle door and get on/off. The back-seat passengers should tear off the Velcro tape before unzip the zipper.



**Outside**



**Inside**